

Features

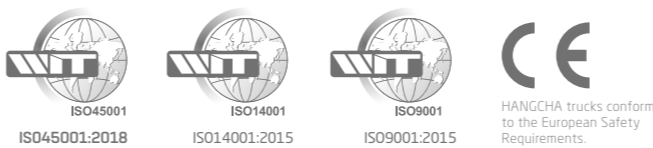
Truck	Standard	Options
Duplex mast, forks, fork carriage and backrest	●	
Iron stamping hood	●	
Stamped Stainless Steel Boarding Step	●	
Hood gas spring with anti-misoperation mechanism	●	
Handbrake with anti-misoperation mechanism	●	
Integrated fuse box	●	
Low-noise gear pump	●	
Load-sensitive multi-way valve	●	
Cornering deceleration	●	
Dual-Spool Multi-Way Valve	●	
Seat with tool box and file folder	●	
Towing pin	●	
Hollow overhead guard	●	
Black smooth Cushion Tires	●	
Panoramic Rearview Mirror	●	
High-capacity battery	●	
PVC roof	●	
White smooth Cushion Tires		○
Black pattern Cushion Tires		○
White pattern Cushion Tires		○
Left and right rearview mirrors		○
Triple Hydraulic Multiway Valves		○
Quadruple Hydraulic Multiway Valves		○
Quintuple Hydraulic Multiway Valves		○
Triplex mast		○
Cab		○
High/low overhead guard		○
Other length forks		○
Built-in sidsifter		○
Other attachments		○
Controls and instruments		
Multi-Function Instrument Cluster	●	
Mileage display, working time display	●	
SPE power selection	●	
OPS system	●	
Fingtip control system		○
12V Power Outlet		○
USB Port		○
Safety		
Reverse buzzer	●	
Emergency power-off switch	●	
Fire extinguisher		○
Right Rear Reverse Grip with Horn Button		○
Lights		
LED Combination Headlights & Taillights	●	
Warning light	●	
Front/rear blue light		○
Front/rear LED headlights		○
Three-direction (left, right, rear) laser line projector		○



HANGCHA FORKLIFT CANADA INC.

Company address:
100-3801 F.-X.-Tessier,
Vaudreuil-Dorion, QC J7V 5V5

Tel: 877-319-4232
info@hcforkliftcanada.com
www.hcforkliftcanada.com



HANGCHA GROUP CO., LTD. reserves the right to make any changes without notice concerning colors, equipment, or specifications detailed in this brochure, or to discontinue individual models. The colors of trucks, delivered may differ slightly from those in brochures.



XC SERIES

**4W CUSHION TIRE FORKLIFT
WITH LITHIUM-ION**

With capacity of 4,000 to 8,000lbs

XC SERIES CUSHION TIRE ELECTRIC FORKLIFT WITH LITHIUM POWER

APPEARANCE DESIGN

Classic Appearance: The industry's first cushion tire with lithium battery dedicated platform, forming a family design for 4W cushion tire electric forklifts.



HANGCHA XC series 4W cushion tire forklift with Lithium-ion technology (4,000-8,000lb) draws on the design concepts and technological innovations of 4W forklift truck with lithium-ion technology and cushion tire forklift truck to build a lithium-ion dedicated platform for cushion tire forklift with lithium-ion technology. It has formed a technological advantage over similar electric products in the market, surpassing market competitors in terms of truck exterior design, technical parameters, and ergonomics, and has achieved market leadership.

HIGH EFFICIENCY AND ENERGY SAVING

- **Lightweight Design:** The overall truck weight is lighter, with a standard load-sensitive multi-way valve for precise and stable operation and lower working energy consumption
- **Performance Advantages:** Faster travelling and lifting speeds than similar products, with a higher residual load capacity.
- **Energy Management:** Optimal energy efficiency management, equipped with larger capacity batteries for long-lasting endurance and continuous operation.

Travel speed, laden/unladen	19/19(km/h)
Lift speed, laden/unladen	430/680(mm/s)
Service Weight	4090(kg)
Battery voltage, nominal capacity	80/536(V/Ah)



DESIGNED FOR THE DRIVER

Space Optimization: The hollow roof OHG provides more headroom and legroom compared to internal combustion cushion tire forklifts.

Shock Absorption Configuration: Equipped with high-position shock-absorbing steering axle and fully suspended seats to enhance overall truck comfort.



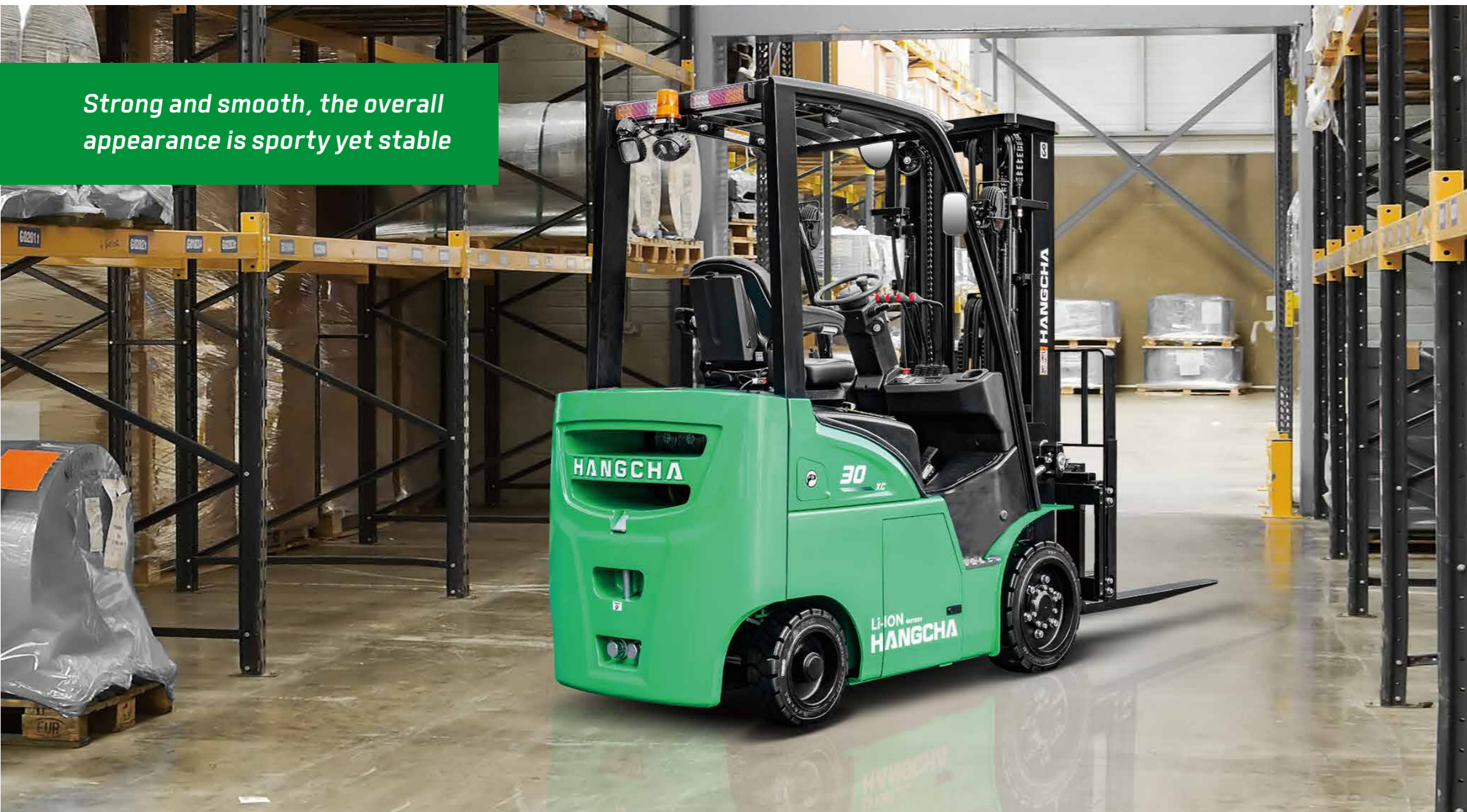
Intelligent Instruments: Multi-function color screen intelligent instruments with graphical interface design, simple and intuitive.



Noise Reduction Design: Full-wrap instrument cover and standard low-noise gear pump to further reduce overall truck noise.



Strong and smooth, the overall appearance is sporty yet stable



SAFETY FROM EVERY ANGLE

Lithium Battery Platform Advantages: Lower overall truck center of gravity, better longitudinal and lateral stability.



SAFETY CONFIGURATION

Mature three-electric technology (Battery, controller and motor) and high-protection components are suitable for various working conditions;

Standard OPS system and cornering deceleration functions to ensure driving safety;



Additional counterweight cooling channels and internal hood cooling fans are added to meet the needs of various working conditions.



COMPARISON WITH THE FIRST GENERATION OF OLD PRODUCTS



SAFETY AND RELIABILITY

Braking System Upgrade: Equipped with enhanced braking system provides 40% longer service life.

Maintenance Convenience: Large opening angle hood and detachable bottom plate for easier maintenance and repair.

Commonality and After-sales Service: Using the same tonnage internal combustion cushion tire forklift's mast, most of the body cover parts and steering axle parts are interchangeable with the new XC series, facilitating after-sales service.



NEW FEATURES



Center of Gravity Optimization:

Using a lithium battery dedicated platform, the overall truck center of gravity is lower, providing better stability.



Maintenance Convenience:

Lithium batteries can be side change by rollers for easy replacement and maintenance.



Performance Improvement:

Faster travelling and lifting speeds, higher residual load capacity.



Endurance Upgrade:

Equipped with large-capacity lithium batteries for longer endurance and service life.



Precise Operation:

Equipped with load-sensitive multi-way valves for more precise and stable operation.



Comfort Improvement:

Equipped with low-noise gear pumps for lower noise and more comfortable operation.



Safety Assurance:

Features OPS systems and cornering deceleration to ensure safe and reliable operation.



Cooling Optimization:

Additional counterweight cooling channels to meet the needs of various working conditions.

LITHIUM POWERED

EMPOWER YOURSELF WITH THE BEST



Li
Lithium

POWER THE POSSIBILITIES
RELIABLE LITHIUM-ION TECHNOLOGY

LITHIUM BATTERY ADVANTAGES



Long service life

4000 full charging cycles with at least 75% residual capacity.



Return on investment

Add flexibility to your operation, cost-saving in the long term, increased efficiencies.



Maintenance free

No topping up of water or checking acid levels.



High energy density

The high energy density of the Li-Ion battery ensures long working times and increases the high availability.



Cold area application

Li-Ion batteries maintain high performance at temperatures below freezing.



High safety and reliability

Intelligent battery management monitoring every important function, no emission of battery gasses.



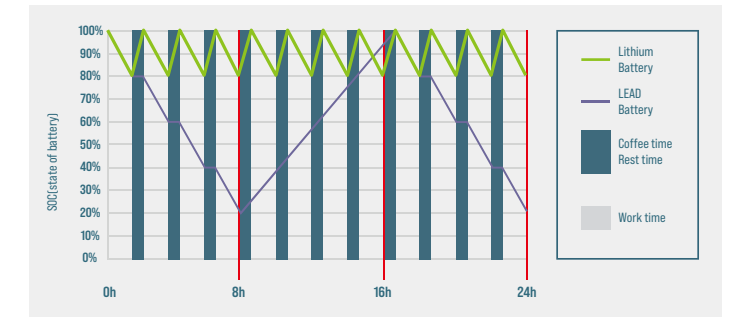
Opportunity charging

Full performance during several shifts thanks to effective interim charging.

FEATURES & BENEFITS THE HANGCHA DIFFERENCE

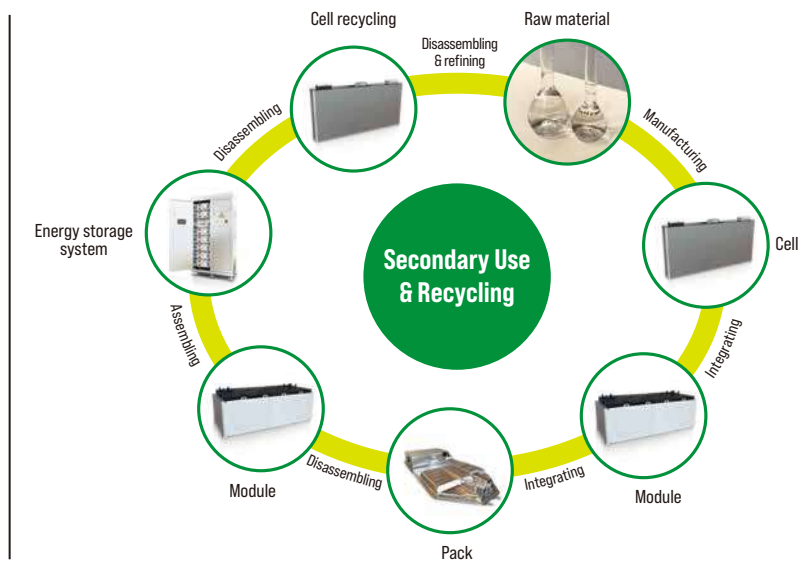
Efficiency

By quick opportunity charging any downtime, such as a lunch break, can be efficiently used and the battery is recharged in a very short period of time. Interim charging does not affect the battery service life.



Safety

- / Intelligent battery management monitoring every important function.
- / Higher user safety, thanks to acid-free use.
- / User friendly due to avoided battery change.
- / No emission of battery gasses.



QUESTION 1

Q: What are the characteristics of lithium batteries, especially when used in high and low temperature environments?

Charging temperature: -30 C - 65 C
Discharge temperature: -30 C - 65 C
Storage environment temperature: -30 C - 65 C

After the truck key switch is closed, the instrument battery condition needs to be checked:

1. Confirm that there is no battery system alarm message on the instrument panel.
2. Please check the remaining power before use. It is recommended to use the SOC between 50% and 100%.
3. If the SOC is lower than 20%, it is not recommended to continue using it. Please charge it as soon as possible.

QUESTION 2

Q: What is the charging time and usage time calculation of forklift lithium battery?

1. Available power of lithium battery (kWh) = rated voltage * rated power * 90% (To avoid over-discharge damaging the battery, the forklift is equipped with low power protection [less than 10%]).
 2. Charging time (h) = rated capacity of lithium battery (Ah) * 90% + charger output current (A).
 3. The power consumed for charging (kWh) = the available power of the lithium battery * 93% (the charging efficiency of the charger is calculated as 93%).
 4. Usage time (h) = available power of lithium battery / energy consumption data.
- For specific energy consumption values, please refer to the technical table on the sharing platform.**

QUESTION 3

Q: How does Hangcha BMS work to ensure the safety of the lithium battery?

HANGCHA BMS (battery management system) can monitor the cells at all times. As a result, hangcha lithium power is the reliable solution.



Battery Safety Management:

- Overcharge/over discharge protection
- Overcurrent/over-temperature/low-temperature protection
- Multi-level fault diagnosis protection
- Double fault monitoring



Battery Parameter Detection:

- Battery voltage detection and analysis
- Battery current detection and analysis
- Battery temperature detection and analysis



Equilibrium Management:

- Equalization based on voltage mode
- Equalization based on time mode
- Equalization based on battery cell SOC
- Active/passive equalization optional



Other Features:

- Low cost, low power consumption
- Historical data record
- Flexible cascade expansion
- CRC data validation

4,000-5,000lbs(2.0-2.5t) Mast specification

Type	Model	Max.Fork Height	Lowered	Overall height		Free lift		Front Overhang	Tilt range F/R	Capacity	
				With backrest	Without backrest	With backrest	Without backrest			Load Capacity at 24 in (600mm)	
										4000lb	5000lb
		in[mm]	in[mm]	in[mm]	in[mm]	in[mm]	in[mm]	in[mm]	(°)	lb[kg]	lb[kg]
limited Free Lit 2 Stage Mast	XFC25M200	78.7(2000)	57.9(1470)	103.4(2627)	120.2(3052)	5.5(140)	5.5(140)	16.8(427)	6\6	4000(1810)	5000(2270)
	XFC25M250	98.4(2500)	67.7(1720)	123.1(3127)	139.8(3552)	5.5(140)	5.5(140)	16.8(427)	6\8	4000(1810)	5000(2270)
	XFC25M270	106.3(2700)	71.7(1820)	131(3327)	147.7(3752)	5.5(140)	5.5(140)	16.8(427)	6\8	4000(1810)	5000(2270)
	XFC25M300	118.1(3000)	77.6(1970)	142.8(3627)	159.5(4052)	5.5(140)	5.5(140)	16.8(427)	6\8	4000(1810)	5000(2270)
	XFC25M330	129.9(3300)	83.5(2120)	154.6(3927)	171.3(4352)	5.5(140)	5.5(140)	16.8(427)	6\8	4000(1810)	5000(2270)
	XFC25M350	137.8(3500)	87.4(2220)	162.5(4127)	179.2(4552)	5.5(140)	5.5(140)	16.8(427)	6\8	4000(1810)	5000(2270)
	XFC25M360	141.7(3600)	91.3(2320)	166.4(4227)	183.1(4652)	5.5(140)	5.5(140)	16.8(427)	6\8	4000(1810)	5000(2270)
	XFC25M400	157.5(4000)	101.2(2570)	182.2(4627)	198.9(5052)	5.5(140)	5.5(140)	16.8(427)	6\8	4000(1810)	5000(2270)
	XFC25M430	169.3(4300)	107.1(2720)	194(4927)	210.7(5352)	5.5(140)	5.5(140)	16.8(427)	6\6	4000(1810)	5000(2270)
	XFC25M450	177.2(4500)	111(2820)	201.9(5127)	218.6(5552)	5.5(140)	5.5(140)	16.8(427)	6\6	4000(1810)	5000(2270)
	XFC25M470	185(4700)	115(2920)	209.7(5327)	226.5(5752)	5.5(140)	5.5(140)	16.8(427)	6\6	4000(1810)	5000(2270)
	XFC25M480	189(4800)	116.9(2970)	213.7(5427)	230.4(5852)	5.5(140)	5.5(140)	16.8(427)	6\6	4000(1810)	5000(2270)
	XFC25M500	196.9(5000)	120.9(3070)	221.5(5627)	238.3(6052)	5.5(140)	5.5(140)	16.8(427)	6\6	3902(1770)	4009(2000)
	XFC25U200	78.7(2000)	57.9(1470)	103.1(2620)	120.2(3052)	33.2(843)	16.5(418)	16.8(427)	6\6	4000(1810)	5000(2270)
	XFC25U250	98.4(2500)	67.7(1720)	122.8(3120)	139.8(3552)	43(1093)	26.3(668)	16.8(427)	6\8	4000(1810)	5000(2270)
XFC25U270	106.3(2700)	71.7(1820)	130.7(3320)	147.7(3752)	47(1193)	30.2(768)	16.8(427)	6\8	4000(1810)	5000(2270)	
XFC25U300	118.1(3000)	77.6(1970)	142.5(3620)	159.5(4052)	52.9(1343)	36.1(918)	16.8(427)	6\8	4000(1810)	5000(2270)	
XFC25U330	129.9(3300)	83.5(2120)	154.3(3920)	171.3(4352)	58.8(1493)	42(1068)	16.8(427)	6\8	4000(1810)	5000(2270)	
XFC25U350	137.8(3500)	87.4(2220)	162.2(4120)	179.2(4552)	62.7(1593)	46(1168)	16.8(427)	6\8	4000(1810)	5000(2270)	
XFC25U360	141.7(3600)	89.4(2270)	166.1(4220)	183.1(4652)	64.7(1643)	48(1218)	16.8(427)	6\8	4000(1810)	5000(2270)	
XFC25U400	157.5(4000)	99.2(2520)	181.9(4620)	198.9(5052)	74.5(1893)	57.8(1468)	16.8(427)	6\8	4000(1810)	5000(2270)	
XFC25M400	157.5(4000)	73.6(1870)	181.9(4620)	198.9(5052)	49.3(1251)	32.2(818)	16.9(431)	6\6	4000(1810)	5000(2270)	
XFC25N430	169.3(4300)	77.6(1970)	193.7(4920)	210.7(5352)	53.2(1351)	36.1(918)	16.9(431)	6\6	4000(1810)	5000(2270)	
XFC25M450	177.2(4500)	79.5(2020)	201.6(5120)	218.5(5552)	55.2(1401)	38.1(968)	16.9(431)	6\6	4000(1810)	5000(2270)	
XFC25N470	185(4700)	82.4(2095)	209.4(5320)	226.5(5752)	58.1(1476)	41.1(1043)	16.9(431)	6\6	4000(1810)	5000(2270)	
XFC25M480	189(4800)	83.5(2120)	213.4(5420)	230.4(5852)	59.1(1501)	42(1068)	16.9(431)	6\6	4000(1810)	5000(2270)	
XFC25M500	196.9(5000)	86.4(2195)	221.3(5620)	238.3(6052)	62(1576)	45(1143)	16.9(431)	6\6	3902(1770)	4009(2000)	
XFC25M550	216.5(5500)	93.3(2370)	240.9(6120)	258(6552)	68.9(1751)	51.9(1318)	16.9(431)	3\6	3704(1680)	4299(1950)	
XFC25M600	236.2(6000)	101.2(2570)	260.6(6620)	277.7(7052)	76.8(1951)	59.8(1518)	16.9(431)	3\6	2800(1270)	2988(1360)	
XFC25F610	240.2(6100)	83.5(2120)	262.2(6661)	281.3(7146)	63(1599)	43.9(1114)	19.3(491)	3\6	2535(1150)	2998(1360)	
XFC25F660	259.8(6600)	89.4(2270)	280.6(7126)	299.6(7611)	68.9(1749)	49.8(1264)	19.3(491)	3\6	1764(800)	2557(1160)	
XFC25F700	275.6(7000)	95.3(2420)	298.3(7576)	317.4(8061)	74.8(1899)	55.7(1414)	19.3(491)	3\6	1323(600)	2094(950)	
XFC25F730	287.4(7300)	99.2(2520)	309.9(7871)	329(8356)	78.7(1999)	59.6(1514)	19.3(491)	3\6	992(450)	1764(800)	

With sideshifter minus 300lb(135kg) ,with integral sideshifter minus 200lb(90kg)

7,000-8,000lbs(3.5-4.0t) Mast specification

Type	Model	Max.Fork Height	Lowered	Overall height		Free lift		Front Overhang	Tilt range F/R	Capacity	
				With backrest	Without backrest	With backrest	Without backrest			Load Capacity at 24 in (600mm)	
										7000lb	8000lb
		in[mm]	in[mm]	in[mm]	in[mm]	in[mm]	in[mm]	in[mm]	(°)	lb(kg)	lb(kg)
limited Free Lit 2 Stage Mast	XCX35M200	78.7(2000)	63.8(1620)	107.8(2737)	123.8(3145)	5.3(135)	5.3(135)	17.7(450)	6\6	7000(3175)	8000(3500)
	XCX35M250	98.4(2500)	73.6(1870)	127.4(3237)	143.5(3645)	5.3(135)	5.3(135)	17.7(450)	6\8	7000(3175)	8000(3500)
	XCX35M270	106.3(2700)	77.6(1970)	135.3(3437)	151.4(3845)	5.3(135)	5.3(135)	17.7(450)	6\8	7000(3175)	8000(3500)
	XCX35M300	118.1(3000)	83.5(2120)	147.1(3737)	163.2(4145)	5.3(135)	5.3(135)	17.7(450)	6\8	7000(3175)	8000(3500)
	XCX35M330	129.9(3300)	89.4(2270)	158.9(4037)	175(4445)	5.3(135)	5.3(135)	17.7(450)	6\8	7000(3175)	8000(3500)
	XCX35M350	137.8(3500)	93.3(2370)	166.8(4237)	182.9(4645)	5.3(135)	5.3(135)	17.7(450)	6\8	7000(3175)	8000(3500)
	XCX35M360	141.7(3600)	97.2(2470)	170.7(4337)	186.8(4745)	5.3(135)	5.3(135)	17.7(450)	6\8	7000(3175)	8000(3500)
	XCX35M400	157.5(4000)	107.1(2720)	186.5(4737)	202.6(5145)	5.3(135)	5.3(135)	17.7(450)	6\8	7000(3175)	8000(3500)
	XCX35M430	169.3(4300)	113(2870)	198.3(5037)	214.4(5445)	5.3(135)	5.3(135)	17.7(450)	6\6	7000(3175)	8000(3500)
	XCX35M450	177.2(4500)	116.9(2970)	206.2(5237)	222.2(5645)	5.3(135)	5.3(135)	17.7(450)	6\6	7000(3175)	8000(3500)
	XCX35M470	185(4700)	120.9(3070)	214.0(5437)	230.1(5845)	5.3(135)	5.3(135)	17.7(450)	6\6	7000(3175)	8000(3500)
	XCX35M480	189(4800)	122.8(3120)	218.0(5537)	234.1(5945)	5.3(135)	5.3(135)	17.7(450)	6\6	7000(3175)	8000(3500)
	XCX35M500	196.9(5000)	126.8(3220)	225.9(5737)	241.9(6145)	5.3(135)	5.3(135)	17.7(450)	6\6	6658(3020)	7496(3400)
	XCX35U200	78.7(2000)	63.8(1620)	108.3(2750)	123.8(3145)	34.3(870)	18.7(475)	17.7(450)	6\6	7000(3175)	8000(3500)
	XCX35U250	98.4(2500)	73.6(1870)	128(3250)	143.5(3645)	44.1(1120)	28.5(725)	17.7(450)	6\8	7000(3175)	8000(3500)
XCX35U270	106.3(2700)	77.6(1970)	135.8(3450)	151.4(3845)	48.0(1220)	32.5(825)	17.7(450)	6\8	7000(3175)	8000(3500)	
XCX35U300	118.1(3000)	83.5(2120)	147.6(3750)	163.2(4145)	53.9(1370)	38.4(975)	17.7(450)	6\8	7000(3175)	8000(3500)	
XCX35U330	129.9(3300)	89.4(2270)	159.4(4050)	175(4445)	59.8(1520)	44.3(1125)	17.7(450)	6\8	7000(3175)	8000(3500)	
XCX35U350	137.8(3500)	93.3(2370)	167.3(4250)	182.9(4645)	63.8(1620)	48.2(1225)	17.7(450)	6\8	7000(3175)	8000(3500)	
XCX35U360	141.7(3600)	95.3(2420)	171.3(4350)	186.8(4745)	65.7(1670)	50.2(1275)	17.7(450)	6\8	7000(3175)	8000(3500)	
XCX35U400	157.5(4000)	105.1(2670)	187(4750)	202.6(5145)	75.6(1920)	60(1525)	17.7(450)	6\8	7000(3175)	8000(3500)	
XCX35N400	157.5(4000)	77.6(1970)	187(4750)	202.6(5145)	48.0(1220)	32.5(825)	18.2(463)	6\6	7000(3175)	8000(3500)	
XCX35N430	169.3(4300)	81.5(2070)	198.8(5050)	214.4(5445)	52.0(1320)	36.4(925)	18.2(463)	6\6	7000(3175)	8000(3500)	
XCX35N450	177.2(4500)	83.5(2120)	207.1(5260)	222.2(5645)	53.9(1370)	38.4(975)	18.2(463)	6\6	7000(3175)	8000(3500)	
XCX35N470	185(4700)	85.4(2170)	214.6(5450)	230.1(5845)	55.9(1420)	40.4(1025)	18.2(463)	6\6	7000(3175)	8000(3500)	
XCX35N480	189(4800)	87.4(2220)	218.9(5560)	234.1(5945)	57.9(1470)	42.3(1075)	18.2(463)	6\6	7000(3175)	8000(3500)	
XCX35N500	196.9(5000)	91.3(2320)	226.4(5750)	241.9(6145)	61.8(1570)	46.3(1175)	18.2(463)	6\6	6504(2950)	7385(3350)	
XCX35N550	216.5(5500)	97.2(2470)	246.1(6250)	261.6(6645)	67.7(1720)	52.2(1325)	18.2(463)	3\6	6129(2780)	6945(3150)	
XCX35N600	236.2(6000)	103.1(2620)	266.1(6760)	281.3(7145)	73.6(1870)	58.1(1475)	18.2(463)	3\6	4630(2100)	5181(2350)	

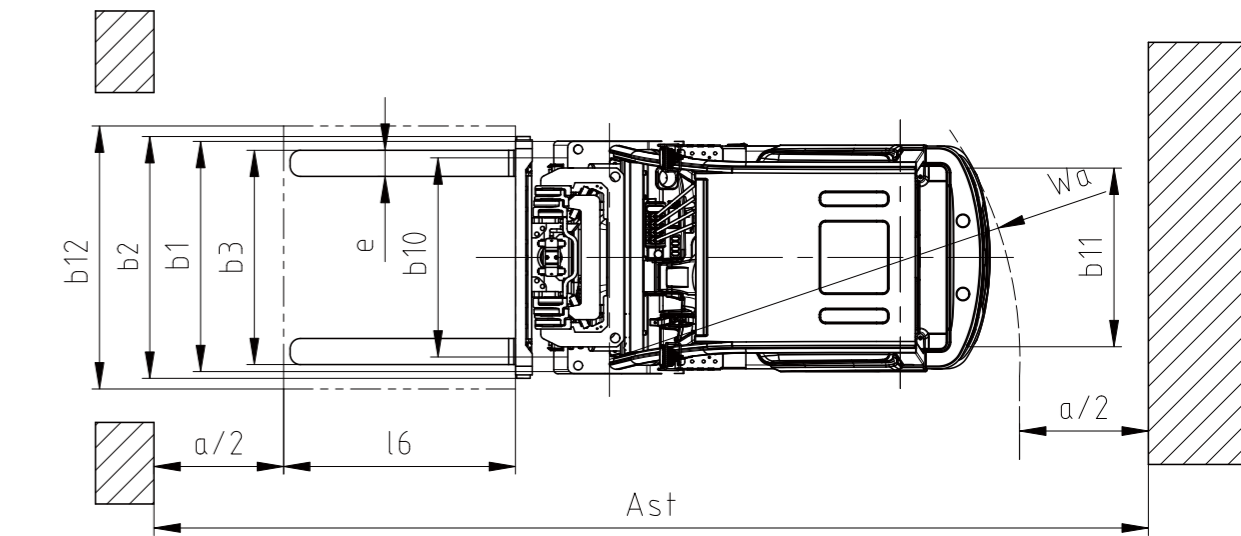
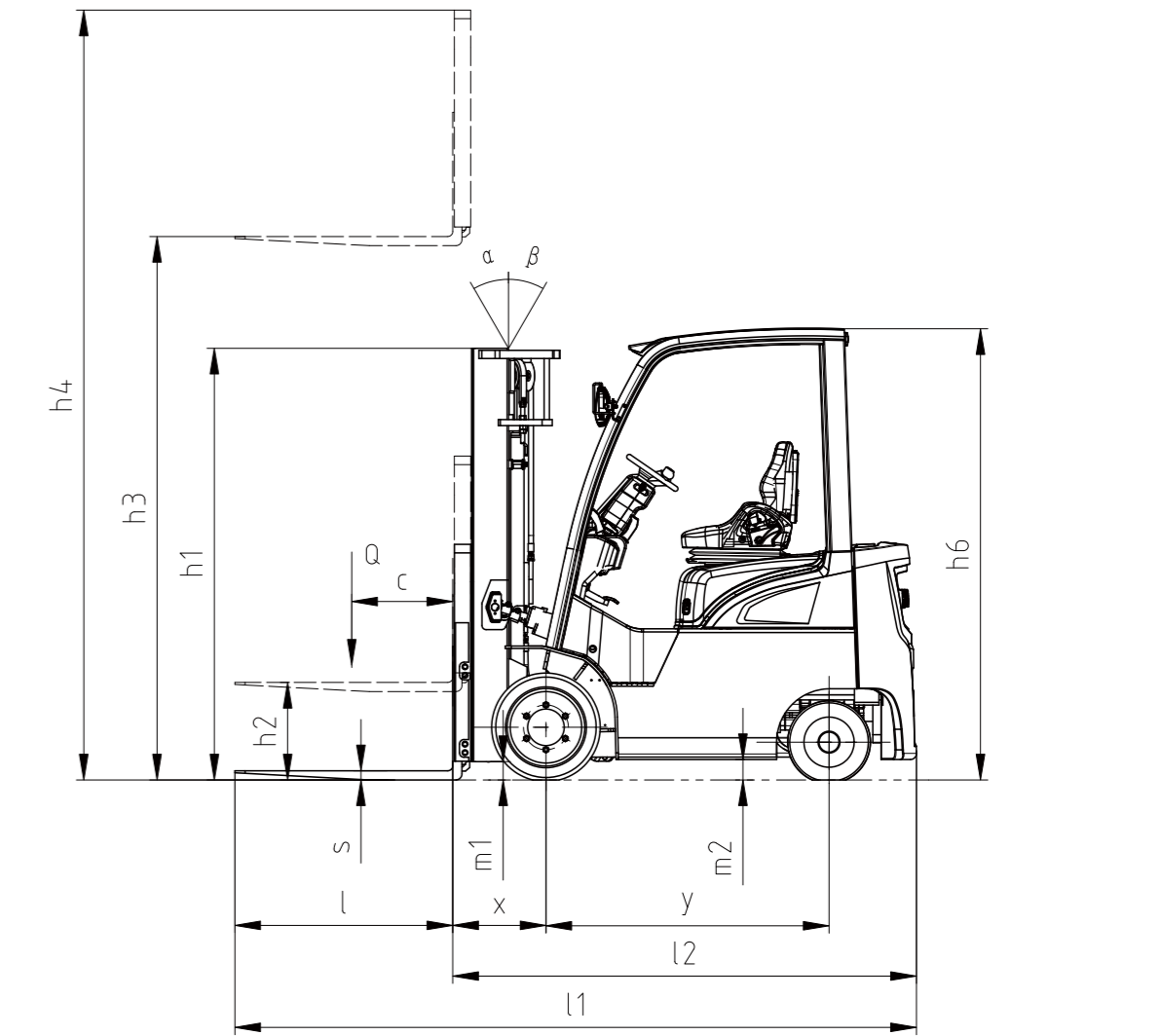
With sideshifter minus 550lb(250kg),with integral sideshifter minus 330lb(150kg)

5,500-6,500lbs(2.8-3.2t) Mast specification

Type	Model	Lifting height	Overall height		Free lift height		Front Overhang	Tilt range RWD	Capacity			
			Lowered	Extended		With backrest			Without backrest	Load Capacity at 24 in (600mm)		
				With backrest	Without backrest					4000lb	6000lb	6500lb
		in[mm]	in[mm]	in[mm]	in[mm]	in[mm]	in[mm]	deg	lb(kg)	lb(kg)	lb(kg)	
limited Free Lit 2 Stage Mast	XFC30M200	78.7(2000)	57.9(1470)	105.4(2676)	123.8(3145)	5.3(135)	5.3(135)	17.7(450)	6\6	5500(2495)	6000(2720)	6500(2950)
	XFC30M250	98.4(2500)	67.7(1720)	125(3176)	143.5(3645)	5.3(135)	5.3(135)	17.7(450)	6\8	5500(2495)	6000(2720)	6500(2950)
	XFC30M270	106.3(2700)	71.7(1820)	132.9(3376)	151.4(3845)	5.3(135)	5.3(135)	17.7(450)	6\8	5500(2495)	6000(2720)	6500(2950)
	XFC30M300	118.1(3000)	77.6(1970)	144.7(3676)	163.2(4145)	5.3(135)	5.3(135)	17.7(450)	6\8	5500(2495)	6000(2720)	6500(2950)
	XFC30M330	129.9(3300)	83.5(2120)	156.5(3976)	175(4445)	5.3(135)	5.3(135)	17.7(450)	6\8	5500(2495)	6000(2720)	6500(2950)
	XFC30M350	137.8(3500)	87.4(2220)	164.4(4176)	182.9(4645)	5.3(135)	5.3(135)	17.7(450)	6\8	5500(2495)	6000(2720)	6500(2950)
	XFC30M360	141.7(3600)	91.3(2320)	168.3(4276)	186.8(4745)	5.3(135)	5.3(135)	17.7(450)	6\8	5500(2495)	6000(2720)	6500(2950)
	XFC30M400	157.5(4000)	101.2(2570)	184.1(4676)	202.6(5145)	5.3(135)	5.3(135)	17.7(450)	6\8	5500(2495)	6000(2720)	6500(2950)
	XFC30M430	169.3(4300)	107.1(2720)	195.9(4976)	214.4(5445)	5.3(135)	5.3(135)	17.7(450)	6\6	5500(2495)	6000(2720)	6500(2950)
	XFC30M450	177.2(4500)	111(2820)	203.8(5176)	222.2(5645)	5.3(135)	5.3(135)	17.7(450)	6\6</			

Technical Data

			HANGCHA GROUP CO.,LTD.									
Distinguishing mark	1.1	Manufacturer										
	1.2	Manufacturer's type designation	CPD20-XD2-CSI	CPD25-XD2-CSI	CPD28-XD2-CSI	CPD30-XD2-CSI	CPD32-XD2-CSI	CPD35-XXD2-CSI	CPD40-XXD2-CSI			
	1.3	Drive: electric (battery or mains), diesel, petrol, fuel gas	Electric	Electric	Electric	Electric	Electric	Electric	Electric			
	1.4	Operator type: hand, pedestrian, standing, seated, order-picker	Seated	Seated	Seated	Seated	Seated	Seated	Seated			
Weight	1.5	Rated capacity/rated load	4000[1810]	5000[2270]	5500[2495]	6000[2720]	6500[2950]	7000[3175]	8000[3500]			
	1.6	Load centre distance	c	in (mm)	24(600)	24(600)	24(600)	24(600)	24(600)	24(600)		
	1.7	Load distance, centre of drive axle to fork	x	in (mm)	6.8(427)	6.8(427)	17.7(450)	17.7(450)	17.7(450)	17.7(450)		
	1.8	Wheelbase	y	in (mm)	51(1295)	51(1295)	54.7(1390)	54.7(1390)	61(1550)	61(1550)		
	2.1	Service Weight		lb(kg)	8752(3970)	9480(4300)	10725(4865)	10725(4860)	11332(5140)	12015(5450)	12787(5800)	
	2.2	Axle loading, laden front/rear		lb(kg)	11420/2006(4970/930)	12610/2138(5720/970)	13382/2844(6070/1290)	14495/2436(6575/1105)	15256/2579(6920/1170)	16369/2656(7425/1200)	17461/3042(7920/1380)	
	2.3	Axle loading, unladen front/rear		lb(kg)	3380/5137(1760/2330)	3583/6162(1625/2795)	3505/7220(1590/3275)	4012/6923(1820/3140)	3880/7452(1760/3380)	4630/7385(2100/3350)	4475/8312(2030/3770)	
	3.1	Tyres: solid rubber, superelastic, pneumatic, polyurethane			Cushion	Cushion	Cushion	Cushion	Cushion	Cushion		
	3.2	Tyre size, front			21 x 7 x 15	21 x 7 x 15	21 x 7 x 15	21 x 8 x 15	21 x 8 x 15	21 x 9 x 15	21 x 9 x 15	
	3.3	Tyre size, rear			16 x 5 x 10.5	16 x 5 x 10.5	16 x 5 x 10.5	16 x 6 x 10.5	16 x 6 x 10.5	16 x 7 x 10.5	16 x 7 x 10.5	
Tyres, chassis	3.4	Wheels, number front / rear (x = driven wheels)			2x/2	2x/2	2x/2	2x/2	2x/2	2x/2		
	3.5	Tread, front	b10	in (mm)	35(890)	35(890)	35(890)	35.8(910)	35.8(910)	36.7(936)	36.7(936)	
	3.6	Tread, rear	b11	in (mm)	36.2(920)	36.2(920)	36.2(920)	36.2(920)	36.2(920)	37.2(946)	37.2(946)	
	4.1	Tilt of mast/fork carriage forward/backward	a/b	[°]	6/8	6/8	6/8	6/8	6/8	6/8		
	4.2	Height, mast lowered	h1	in (mm)	77.6(1970)	77.6(1970)	77.6(1970)	77.6(1970)	83.5(2120)	83.5(2120)		
	4.3	Free lift	h2	in (mm)	5.3(140)	5.3(140)	5.3(140)	5.3(135)	5.3(135)	5.3(135)		
	4.4	Lift	h3	in (mm)	118.1(3000)	118.1(3000)	118.1(3000)	118.1(3000)	118.1(3000)	118.1(3000)		
	4.5	Height, mast extended	h4	in (mm)	159.3(4045)	159.3(4045)	163.2(4145)	163.2(4145)	163.2(4145)	163.2(4145)		
	4.6	Height of overhead guard (cabin)	h6	in (mm)	88.2(2240)	88.2(2240)	88.2(2240)	88.2(2240)	88.2(2240)	88.2(2240)		
	4.7	Seat height/stand height	h7	in (mm)	50(1269.5)	50(1269.5)	50(1269.5)	50(1269.5)	50(1269.5)	50(1269.5)		
Dimensions	4.8	Coupling height	h10	in (mm)	19.4(494)	19.4(494)	19.4(494)	19.4(494)	19.4(494)	19.4(494)		
	4.9	Overall length	l1	in (mm)	121.9(3095)	124.4(3160)	128.7(3270)	131.5(3340)	133.3(3385)	134.6(3420)	138.6(3520)	
	4.10	Length to face of forks	l2	in (mm)	79.7(2025)	82.3(2090)	89.4(2270)	89.4(2270)	91.1(2315)	92.5(2350)	96.5(2450)	
	4.11	Overall width	b1/b2	in (mm)	42/43.1(1070/1094)	42/43.1(1070/1094)	42/45.5(1100/1156)	43.7/45.5(1110/1156)	43.7/45.5(1110/1156)	45.6/45.5(1158/1156)	45.6/45.5(1158/1156)	
	4.12	Fork dimensions	s / e / l	in (mm)	1.6-4.8-42(40/122/1070)	1.6-4.8-42(40/122/1070)	1.8-4.8-42(45/122/1070)	1.8-4.8-42(45/122/1070)	1.8-4.8-42(45/122/1070)	2-4.8-42(50/122/1070)	2-4.8-42(50/122/1070)	
	4.13	Fork carriage ISO 2328, class/type A,B			II A	II A	III A	III A	III A	III A	III A	
	4.14	Fork-carriage width	b3	in (mm)	40.9(1038)	40.9(1038)	43.3(1100)	43.3(1100)	43.3(1100)	43.3(1100)	43.3(1100)	
	4.15	Ground clearance, laden, below mast	m1	in (mm)	3.5(90)	3.5(90)	3.5(90)	3.5(90)	3.5(90)	3.5(90)		
	4.16	Ground clearance, centre of wheelbase	m2	in (mm)	3.9(100)	3.9(100)	3.9(100)	3.9(100)	3.9(100)	3.9(100)		
	4.17.1	Aisle width for pallets 1000 x 1200 crossways	Ast	in (mm)	132.6(3367)	133(3377)	136.6(3470)	142.1(3610)	143.7(3650)	146.5(3720)	148.4(3770)	
	4.17.2	Aisle width for pallets 800 x 1200 lengthways	Ast	in (mm)	140.4(3567)	140.8(3577)	144.5(3670)	150(3810)	151.6(3850)	154.3(3920)	156.3(3970)	
	4.18	Turning radius	Wa	in (mm)	68.5(1740)	68.9(1750)	71.7(1820)	77.2(1960)	78.7(2000)	81.5(2070)	83.5(2120)	
	Performance data	5.1	Travel speed, laden/unladen		mph(km/h)	11.8/11.8(19/19)	11.8/11.8(19/19)	11.5/11.8(18.5/19)	11.5/11.8(18.5/19)	11.5/11.8(18.5/19)	11.2/11.5(18/18.5)	11.2/11.5(18/18.5)
		5.2	Lift speed, laden/unladen		fpm(mm/s)	92.5/133.9(470/680)	84.6/133.9(430/680)	76.8/118.1(390/600)	74.8/118.1(380/600)	70.9/118.1(360/600)	66.9/118.1(340/600)	63/118.1(320/600)
		5.3	Lowering speed, laden/unladen		fpm(mm/s)	98.4/98.4(500/500)	98.4/98.4(500/500)	98.4/98.4(500/500)	98.4/98.4(500/500)	98.4/98.4(500/500)	98.4/98.4(500/500)	
		5.4	Max. Drawbar pull, laden/unladen		lbf(N)	3327/2142(14640/9530)	3291/2012(14640/8950)	3215/2271(14300/10100)	3170/2347(14100/10440)	3170/2271(14100/10100)	3163/2347(14070/10440)	3163/2271(14070/10100)
		5.5	Max. gradeability, laden/unladen		%	23/25	19/21	19/21	17/20	17/19	17/18	16.5/17.5
		5.6	Service brake			Hydraulic	Hydraulic	Hydraulic	Hydraulic	Hydraulic	Hydraulic	Hydraulic
5.7		Parking brake			Mechanical	Mechanical	Mechanical	Mechanical	Mechanical	Mechanical	Mechanical	
Electric-engine	6.1	Drive motor rating S2 60 min		HP(kW)	24.1(18)AC	24.1(18)AC	24.1(18)AC	24.1(18)AC	24.1(18)AC	24.1(18)AC	24.1(18)AC	
	6.2	Lift motor rating at S3 15%		HP(kW)	28.2(21)AC	28.2(21)AC	28.2(21)AC	28.2(21)AC	28.2(21)AC	28.2(21)AC	28.2(21)AC	
	6.3	Battery voltage, nominal capacity		V/Ah	80/536	80/536	80/536	80/536	80/536	80/536	80/536	
	6.4	Battery weight		lb(kg)	750(340)	750(340)	750(340)	750(340)	750(340)	750(340)	750(340)	
Additional data	7.1	Operating pressure for attachments		psi(bar)	2625(181)	2625(181)	2625(181)	2625(181)	2625(181)	2625(181)	2625(181)	
	7.2	Oil volume for attachments		ℓ / min	35	35	35	35	35	35	35	



$$Ast = l6 + x + Wa + a \quad a = 200mm$$