



X Series Electric Platform Truck

with capacities of 1,000 to 5,000kg



HANGCHA FORKLIFT CANADA INC.

Company address:
100-3801 F.-X.-Tessier,
Vaudreuil-Dorion, QC J7V 5V5

Tel: 877-319-4232
info@hcforkliftcanada.com
www.hcforkliftcanada.com



Follow us on
Facebook



Follow us on
YouTube



Follow us on
WeChat



Download "Hangcha
Forklift" App



ISO45001
ISO45001:2018



ISO14001
ISO14001:2015



ISO9001
ISO9001:2015



HANGCHA trucks conform
to the European Safety
Requirements.

2025 VERSION 4/COPYRIGHT 2025/09

HANGCHA GROUP CO., LTD. reserves the right to make any changes without notice concerning colors, equipment, or specifications detailed in this brochure, or to discontinue individual models. The colors of trucks, delivered may differ slightly from those in brochures.

The World of Hangcha



X Series Electric Platform Truck

The X series electric platform truck is a new series of products independently developed by Hangcha.

With exterior design, safety, reliability, advancement and comfort, etc. reaching the level of the world's advanced brands and featuring high speed, high efficiency and high safety, it is an ideal choice for the short- and medium-distance goods handling at railway stations, vehicle companies, etc.



Appearance

/ Streamline and large curved surface appearance, combined with eagle eye type LED integrated head light, entirely-new appearance and vision, more novel and fashionable.

Advancement

- / Digital dashboard with battery charge indicator, fault detection, speedometer and hour meter.
- / The whole truck has high speed and efficiency, and the traveling speed can reach 20km/h.
- / Permanent magnet brushless traction motor+electric control+aluminum alloy high-efficiency gear box, high efficiency, fast start-up, energy-saving and noise-reduced.
- / An optional configuration is provided: a full range of long-lasting batteries, large-capacity lead-acid battery. With a large distance from the ground, a small turning radius and a good passing ability.

Comfort

- / The front and rear axles are fully elastic suspension system with low vibration and good comfort.
- / Low step-on platform for comfortable access.
- / Different operating pedals, instruments, steering wheels and switches are configured according to the ergonomics requirements, operation is comfortable and flexible.
- / EPS (electric power steering) is optional, the force is 8-12N, it is easy for operator.
- / The fully-enclosed driver's cab is optional, and can meet all-weather works.

Maintenance

- / The AC traction motor is free maintenance, and the cost is greatly reduced.
- / The electric control cover plate can be easily dismantled, and it is convenient for commissioning and maintenance of the electric control system.
- / Controller and electrical components are placed together for high integration.
- / The battery lid with a gas spring provided for the standard configuration makes the repair, maintenance and replacement of the battery convenient and is applicable to continuous operating conditions.



Large screen display, the instrument panel adopts injection molding design, sturdy and durable



Full suspension operating platform, vibration is reduced, noise is isolated (1.5-5t)



LED headlight has the head light and dipped light functions. The front turn light utilizes the latest stream light technology



Repair, maintenance and replacement of the battery are convenient and fast, and it is suitable to continuous work



2 operators on board, optimised driving position for maximum comfort and efficiency (1.5-5t)



Reliability and Safety

- / Such main electric parts as motor controller, contactor, power plug, emergency power-off switch and so on are famous brand products.
- / The chassis, driving axle, steering axle and so on are designed based on high strength, and can meet the heavy-load operating conditions.
- / The frame and girder type structure, has light weight and great bearing capacity.
- / The emergency power-off switch is the standard configuration, and can meet the European safety standard.
- / The efficient AC power system has complete protection functions and greatly improved reliability and service life, powering the electric braking with protection for preventing sliding down a ramp.
- / With the battery placed at the bottom of the vehicle frame, the vehicle has good stability, safety and reliability.
- / Thanks for the brake system and anti-slip function, it provides safety and reliability.

Standard specification

- / LED light system
- / LCD screen
- / Standard battery
- / Side charging (lithium battery)
- / Emergency power-off switch
- / Horn
- / Reversing buzzer
- / File box (1.5-5t)
- / Cup holder (1.5-5t)
- / Angle adjustable steering wheel
- / Floating control platform
- / Seat belt
- / Combination LED three-color taillights
- / Chair

Options

- / EPS (Electric Power Steering) system (1.5-3t)
- / Reflecting mirror
- / Large capacity lead-acid battery
- / Large-diameter steering wheel
- / Alarm light
- / High performance lead acid battery
- / Suspension seat
- / Acoustic and optical alarm
- / Side charging (lead acid)
- / Large capacity lithium battery
- / Non-standard series platform
- / Blue light lamp
- / Battery side roll out
- / Non-standard series platform
- / LED Rear working light
- / Side shift battery trolley
- / OPS system
- / Terminal power supply
- / Voice-type reversing buzzer
- / Fire extinguisher
- / Charger
- / Solid tyre
- / Non-standard color
- / EPB (Electric Parking Brake) (1.5-3t)
- / Traction pin

Options (with cab)

- / Fully-enclosed cab
- / Semi-enclosed cab
- / Get on hand
- / RearView mirror
- / Fan
- / Front single blade wiper
- / Front wiper sprinkler
- / Heater
- / Front glass defroster
- / Cooling and heating air conditioner

Note: Max. travel speed 14km/h for 1.5t with cab



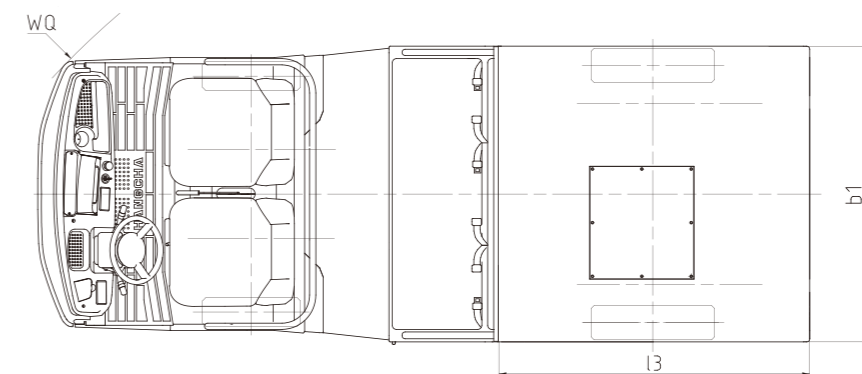
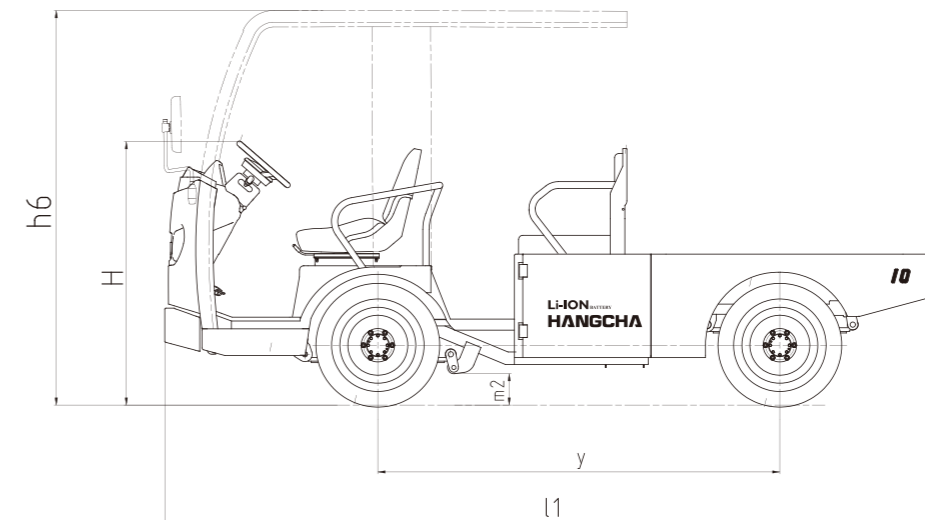
Fully hydraulic steering (4-5t)

The follow-up steering system provided for the standard configuration has the advantages of low energy consumption, low noise, light steering force, a good feel, safe and reliable steering, etc.



X Series Electric Platform Truck Specification

		HANGCHA GROUP CO.,LTD.											
Distinguishing mark	1.1	Manufacturer											
	1.2	Manufacturer's type designation	BD10-XC11-5	BD10-XC11-5I	BD20-XC11-5	BD20-XC11-5I	BD30-XC11-5	BD30-XC11-5I	BD20-XC11-L	BD30-XC11-L	BD40-XC11-L	BD50-XC11-L	
	1.3	Drive: electric (battery type, mains, ...), diesel, petrol, fuel gas	Electric	Electric	Electric	Electric	Electric	Electric	Electric	Electric	Electric	Electric	
	1.4	Operator type: hand, pedestrian, standing, seated, order-picker	Seated	Seated	Seated	Seated	Seated	Seated	Seated	Seated	Seated	Seated	
	1.5	Rated capacity/rated load	kg	1000	1000	2000	2000	3000	3000	2000	3000	4000	5000
Weight	1.9	Wheelbase	y (mm)	1930	1930	1930	1930	1930	1500	1500	2500	2500	
	2.1	Service weight	kg	950	900	1200	930	1210	940	1230	1290	2015	2025
	2.3	Axle loading, unladen front/rear	kg	400/550	375/525	580/620	445/485	580/630	445/495	630/600	680/610	1050/965	1055/970
Tyres, chassis	3.1	Tyres: solid rubber, superelastic, pneumatic, polyurethane		Pneumatic	Pneumatic	Pneumatic	Pneumatic	Pneumatic	Pneumatic	Pneumatic	Pneumatic	Pneumatic	
	3.2	Tyre size, front		165/80R13	165/80R13	6.00-9-10PR	6.00-9-10PR	6.00-9-10PR	6.00-9-10PR	5.00-8-10PR	6.00-9-10PR	7.00-12	7.00-12
	3.3	Tyre size, rear		165/80R13	165/80R13	6.00-9-10PR	6.00-9-10PR	6.00-9-10PR	6.00-9-10PR	5.00-8-10PR	6.00-9-10PR	7.00-12	7.00-12
	3.5	Wheels, number front/rear (x = driven wheels)		4	4	4	4	4	4	4	4	2	2
	3.6	Tread, front	b ₁₀ (mm)	1132.5	1132.5	1202.5	1202.5	1202.5	1202.5	1095	1095	1290	1290
	3.7	Tread, rear	b ₁₁ (mm)	1235	1235	1305	1305	1305	1305	1130	1145	1290	1290
Dimensions	4.7	Height of overhead guard (cabin)	h ₆ (mm)	1900	1900	1900	1900	1900	1900	1900	1900	1287	1287
	4.16	Length of loading surface	l ₃ (mm)	1500	1500	1500	1500	1500	1500	2000	2000	3200	3200
	4.17	Overhang	l ₅ (mm)	1025/753	1025/753	1025/753	1025/753	1025/753	1025/753	1010/748	1010/748	979/979	979/979
	4.18	Width of loading surface	b ₉ (mm)	1420	1420	1500	1500	1500	1500	1300	1300	1500	1500
	4.19	Overall length	l ₁ (mm)	3705	3705	3705	3705	3705	3705	3258	3258	4458	4458
	4.21	Overall width	b ₁ /b ₂ (mm)	1420	1420	1500	1500	1500	1500	1300	1300	1500	1500
	4.32	Ground clearance, centre of wheelbase	m ₂ (mm)	195	195	170	170	170	170	120	155	200	200
4.35	Turning radius	w _a (mm)	4000	4000	4000	4000	4000	4000	3300	3300	4950	4950	
Performance data	5.1	Travel speed, laden/unladen	km/h	25/30	25/30	14.5/20	14.5/20	13/20	13/20	13.5/18	13/18	13/16	12/16
	5.8	Max. gradeability, laden/unladen	%	20	20	12	12	12	12	10	10	12	10
	5.1	Service brake		Hydraulic	Hydraulic	Hydraulic	Hydraulic	Hydraulic	Hydraulic	Hydraulic	Hydraulic	Hydraulic	Hydraulic
Electric-engine	b)	Parking brake		Mechanical	Mechanical	Mechanical	Mechanical	Mechanical	Mechanical	Mechanical	Mechanical	Mechanical	Mechanical
	6.1	Drive motor rating S2 60 min	kw	6	6	5	5	5	5	5	5	6	6
	6.4	Battery voltage/nominal capacity K5	(V)/(Ah) or kWh	72/120	77.28/125	72/180	77.28/125	72/180	77.28/125	72/180	72/180	72/240	72/240
	6.5	Battery weight	kg	268	150	418	150	418	150	418	418	485	485
10.7	Sound pressure level at the driver's seat	dB (A)	<65	<65	<65	<65	<65	<65	<65	<65	<65	<65	



X Series Electric Platform Truck Specification

Distinguishing mark	HANGCHA GROUP CO.,LTD.																							
	1.1	Manufacturer	BD10-XC1*/BD10-XC1-I*		BD15-XXC1*/BD15-XXC1-I*		BD15-XD2*/BD15-XC2*		BD15-XD2-I*/BD15-XC2-I*		BD20-XD2*/BD20-XC2*		BD30-XD2*/BD30-XC2*		BD40-XC2*		BD40-XC2-I*		BD50-XC2*		BD50-XC2-I*			
1.2	Manufacturer's type designation																							
1.3	Drive: electric (battery or mains), diesel, petrol, fuel gas		Electric	Electric	Electric	Electric	Electric	Electric	Electric	Electric	Electric	Electric	Electric	Electric	Electric	Electric	Electric	Electric	Electric	Electric	Electric	Electric		
1.4	Operator type: hand, pedestrian, standing, seated, order-picker		Seated	Seated	Seated	Seated	Seated	Seated	Seated	Seated	Seated	Seated	Seated	Seated	Seated	Seated	Seated	Seated	Seated	Seated	Seated	Seated		
1.5	Rated capacity/rated load	Q (kg)	1000	1500	1500	1500	1500	2000	2000	3000	3000	4000	4000	5000	5000									
1.9	Wheelbase	y (mm)	1210	1210	1235	1235	1500	1500	1500	1500	1500	1900	1900	1900	1900									
Weight	2.1	Service Weight	kg	814/690		824/700		1000	892	1200	942	1260	1000	1790	1515	1800	1525							
	2.3	Axle loading, unladen front/rear	kg	467/347	405/285	467/357	405/295	515/485	460/432	615/585	486/456	665/595	535/465	895/895	745/770	900/900	750/775							
Tyres, chassis	3.1	Tyres: solid rubber, superelastic, pneumatic, polyurethane		Pneumatic		Pneumatic		Pneumatic		Pneumatic		Pneumatic		Pneumatic		Pneumatic		Pneumatic		Pneumatic		Pneumatic		
	3.2	Tyre size, front		4.00-8-8PR		4.00-8-8PR		5.00-8-10PR		5.00-8-10PR		5.00-8-10PR		6.00-9-10PR		6.00-9-10PR		7.00-12-12PR		7.00-12-12PR		7.00-12-12PR		
	3.3	Tyre size, rear		5.00-8-10PR		5.00-8-10PR		5.00-8-10PR		5.00-8-10PR		5.00-8-10PR		6.00-9-10PR		6.00-9-10PR		7.00-12-12PR		7.00-12-12PR		7.00-12-12PR		
	3.5	Wheels, number front / rear (x = driven wheels)		4(x=2)		4(x=2)		4(x=2)		4(x=2)		4(x=2)		4(x=2)		4(x=2)		4(x=2)		4(x=2)		4(x=2)		
	3.6	Tread, front	b ₁₀ (mm)	879		879		1095		1095		1095		1095		1290		1290		1290		1290		
	3.7	Tread, rear	b ₁₁ (mm)	863		863		1130		1130		1130		1145		1290		1290		1290		1290		
	4.7	Height of overhead guard	h ₆ (mm)	1925		1925		1865		1865		1900		1900		1990		1990		1990		1990		
Dimensions	4.12	Coupling height	h ₁₀ (mm)	440		440		350		350		400		400		440		440		440		440		
	4.16	Length of loading surface	l ₃ (mm)	1400		1600		1600		2000		2000		2000		2600		2600		2600		2600		
	4.18	Width of loading surface	b ₉ (mm)	1000		1000		1300		1300		1300		1300		1500		1500		1500		1500		
	4.19	Overall length	l ₁ (mm)	2600		2800		2875		2875		3275		3275		3875		3875		3875		3875		
	4.21	Overall width	b ₁ (mm)	1000		1000		1300		1300		1300		1300		1500		1500		1500		1500		
		Overall Height	(mm)	1240		1240		1210		1210		1210		1244		1244		1335		1335		1335		
	4.32	Ground clearance, centre of wheelbase	m ₂ (mm)	120		120		120		120		120		155		155		175		175		175		
	4.35	Turning radius	W _a (mm)	2700		2700		2850		2850		3300		3300		3300		3900		3900		3900		
	Performance data	5.1	Travel speed, laden/unladen	km/h	13/17.5		12/17.5		13.5/18		13.5/18		14/18		14/18		13/20		13/20		13/16		13/16	
		5.6	Max. Drawbar pull	N	3650		3650		5200		5200		5200		5200		6500		6500		9000		9000	
5.8		Max. gradeability, laden	%	15		10		12		12		12		12		12		12		12		12		
5.10		Service brake		Electromagn+Hydraulic																				
		Parking brake		Mechanical		Mechanical		Mechanical		Mechanical		Mechanical		Mechanical		Mechanical		Mechanical		Mechanical		Mechanical		
Electric engine	6.1	Drive motor rating S2 60 min	kW	3		3		5		5		5		5		6		6		6		6		
	6.4	System battery voltage, nominal capacity K5	V/Ah	48/140	51.52/125	48/140	51.52/125	72/120	80/125	72/180	80/125	72/180	80/125	72/240	80/228	72/240	80/228	72/240	80/228	72/240	80/228	72/240	80/228	
	6.5	Battery weight	kg	224	100	224	100	268	150	418	150	418	150	485	210	485	210	485	210	485	210	485	210	
		Battery dimensions	(mm)	850/400/330	830/400/300	850/400/330	830/400/300	1072/402/321	1070/400/370	1072/566/321	1070/400/370	1072/566/321	1070/400/370	1072/566/321	1070/564/370	1072/566/321	1070/564/370	1072/566/321	1070/564/370	1072/566/321	1070/564/370	1072/566/321	1070/564/370	
10.7	Sound pressure level at the driver's seat	dB (A)	<65		<65		<65		<65		<65		<65		<65		<65		<65		<65			

Note:
 Electric control configuration: D1(INMOTION) / C1(CURTIS) / C2(CURTIS) controller is suitable for heavy working conditions, such as climbing long slopes, passing speed bumps, and starting from a stationary position in front of railway tracks
 ★ CE model

1.5/2.0/3.0t Specifications of platforms

Width	Length						
	1600	2000	2240	2400	3000	4000	4500
1300	■ Standard configuration	■ Standard configuration	● ■	● ■			
1400		● ■	● ■	● ■			
1500				● ■	● ■	● ■	● ■
1800						○ ■	

Note: ● Preferably select ○ optional Guardrail height: ■ 220: □ 320mm

4.0/5.0t Specifications of platforms

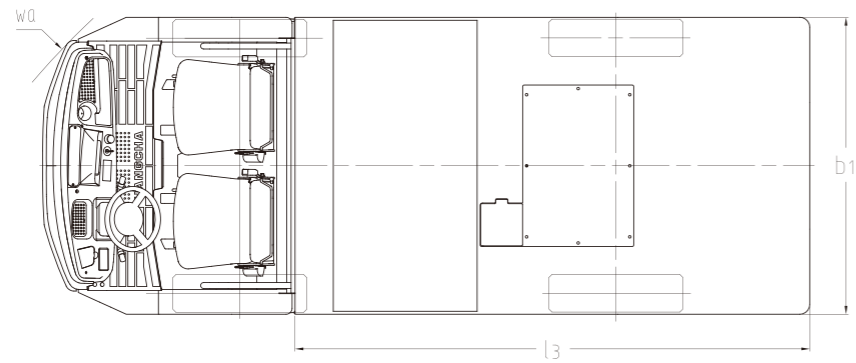
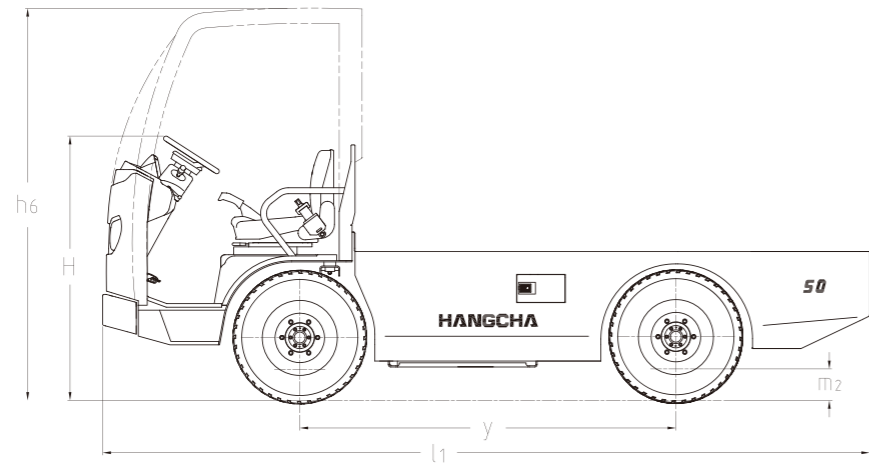
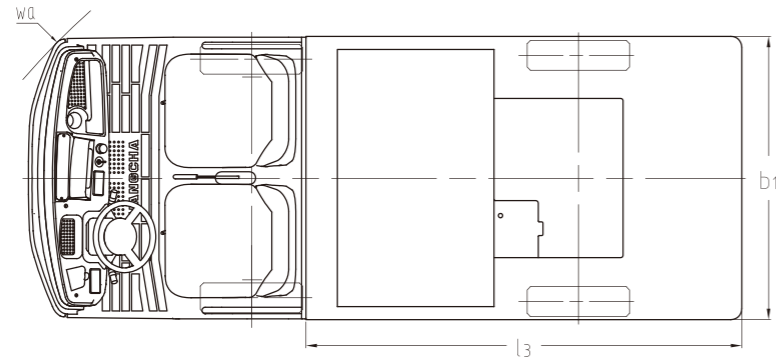
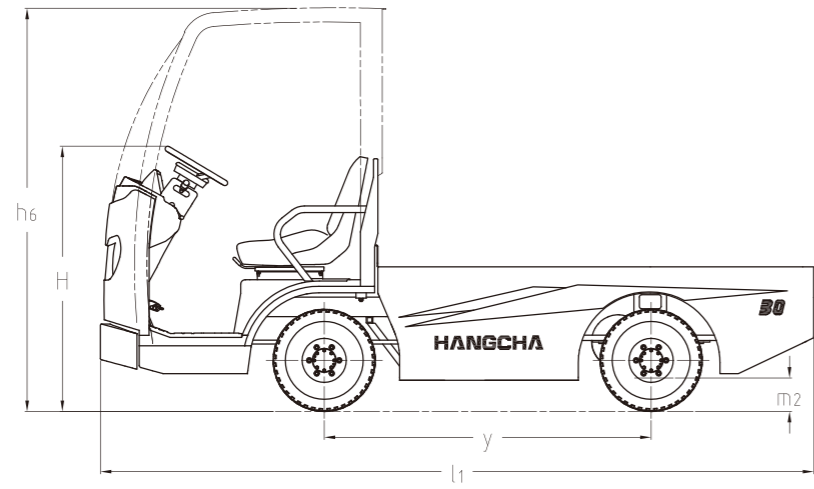
Width	Length					
	2600	3200	4000	4600	5000	6000
1500	■ Standard configuration	● ■	● ■	○ ■		
1600		○ ■	○ ■			
1800			○ ■			
2000			○ ■	○ ■	○ ■	○ ■
2600				○ ■		

Note: ● Preferably select ○ optional Guardrail height: ■ 220: □ 320mm

Table of the battery

	Capacity(Ah)	BD10	BD15-X	BD15	BD20	BD30	BD40	BD50
Lead-acid battery	115			○				
	120			●				
	135			○				
	140	●	●	○				
	165			○	○	○		
	180				●	●		
	210				○	○		
	220				○	○		
	240				○	○	●	●
	252				○	○	○	○
	300				○	○	○	○
	330				○	○	○	○
385						○	○	
420						○	○	
Lithium battery	125(CATL)	●	●	●	●	●		
	228(CATL)				○	○	●	●
	230(EVE)			○	○	○	○	○
	304(EVE)				○	○	○	○

Note:
 ● Standard battery capacity;
 ○ Optional battery capacity



Easy/
Efficiency/
Economy

