

**HANGCHA FORKLIFT CANADA INC.**

**Company address:**  
100-3801 F.-X.-Tessier,  
Vaudreuil-Dorion, QC J7V 5V5

Tel: 877-319-4232  
info@hcforkliftcanada.com  
www.hcforkliftcanada.com



Follow us on Facebook    Follow us on YouTube    Follow us on WeChat    Download "Hangcha Forklift" App



HANGCHA GROUP CO., LTD. reserves the right to make any changes without notice concerning colors, equipment, or specifications detailed in this brochure, or to discontinue individual models. The colors of trucks, delivered may differ slightly from those in brochures.



**HANGCHA Lithium-ion**  
Re-imagining POWER

## A Series Electric Lithium-ion Center Control Rider Pallet Truck

with capacities of 6,000-8,000lbs

**Making Material Handling Easier**  
SINCE 1956



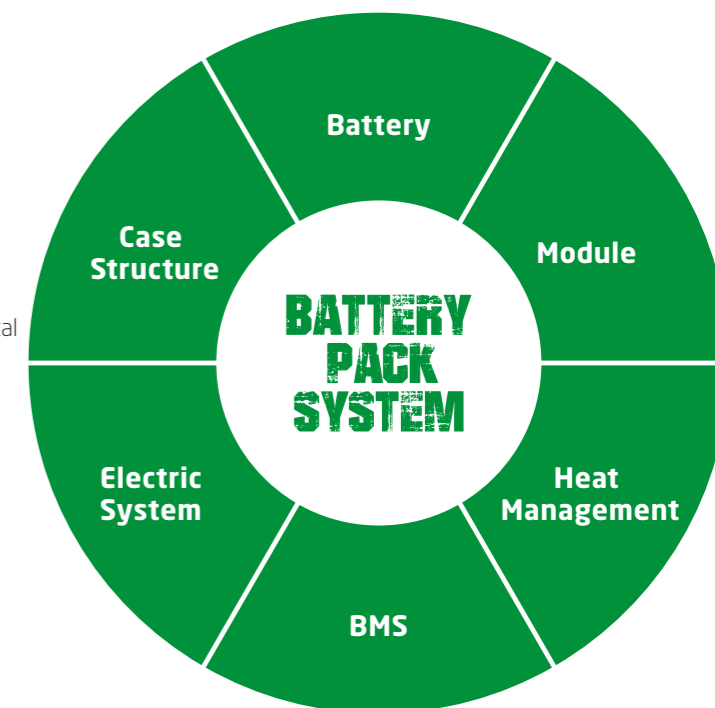
# LET THE LIUM POWER FREED



## INNOVATIVE SOLUTIONS NEW POWER NOW

Lithium-ion technology (Lithium Iron Phosphate), was developed jointly by HANGCHA and a leading cell manufacturer for use in material handling equipment applications. These innovative and reliable battery cells and modules are manufactured to the highest standard for HANGCHA's forklift line.

- / **Battery Technology:** We use square lithium iron phosphate cells. These are the same type of batteries used in new electric vehicles.
- / **Design:** The module uses a sturdy and lightweight aluminum alloy frame. It is also designed to provide excellent heat dissipation.
- / **Safe and Effective:** Charging efficiency as high as 98% and the thermal runaway temperature is at 600 °C and above.
- / **Adapted to Low Temperatures:** Comes standard with an electrical heating feature, ensuring normal operation in low temperatures.
- / **Efficient:** Can use opportunity charging to allow for continuous use in multi-shift operations.
- / **Long-Lasting:** 4000 charging cycles with a capacity retention greater than 80%.
- / **Maintenance-Free:** Lithium-ion batteries do not require manual maintenance such as watering.
- / **Green and clean:** The batteries are pollution-free, release zero emissions, and are recyclable.



*Rapid charging and opportunity charging ensure continuous availability of material handling equipment*

This technology allows for fast full charging or boost charging. They are maintenance free and do not require a battery change when used in multi-shift operations.



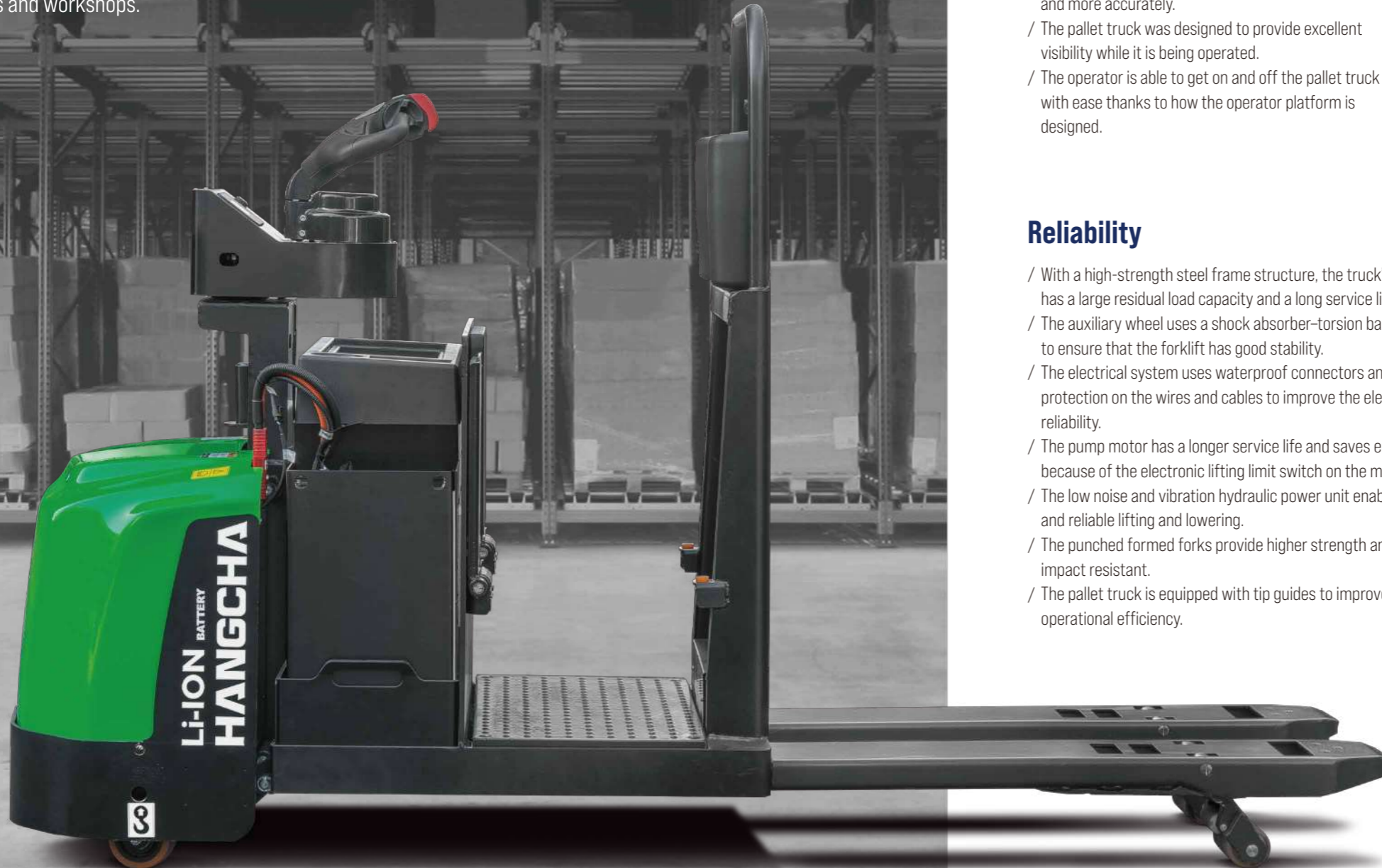
HANGCHA PROVIDES UP TO A  
**5 YEAR OR 10000 HOUR** GUARANTEE  
ON THE LITHIUM-ION BATTERY PACKS.



**5 YEAR  
WARRANTY**

# PERFORMANCE INNOVATION QUICK PICK

The A Series Electric Lithium-ion Center Control Rider Pallet Truck is a logistics handling device developed by Hangcha Group for the high-intensity operating conditions of the North American market. With the AC drive technology, it offers high performance and low maintenance costs. It is also safe, reliable, and can be easily operated. This center control rider pallet truck is an ideal tool for loading, unloading, and handling palletized goods in warehouses and workshops.



## Appearance

- / The A Series Center Control Rider Pallet Truck has a smooth vivid profile and was designed to be ergonomic. The exterior of this forklift is powder coated in a durable, easy to see, green finish that designates it as a lithium-ion powered pallet truck.
- / This pallet truck uses stamped steel plates and injection molded parts. This creates a robust and durable product that is able to successfully take on the wear and tear of a warehouse environment.

## Comfort

- / The operating compartment provides a large and comfortable workspace for the user.
- / Thanks to the tiller's design, all operations can be completed with one hand.
- / When in turtle mode, the truck can be driven slow easily, and more accurately.
- / The pallet truck was designed to provide excellent visibility while it is being operated.
- / The operator is able to get on and off the pallet truck with ease thanks to how the operator platform is designed.

## Reliability

- / With a high-strength steel frame structure, the truck's frame has a large residual load capacity and a long service life.
- / The auxiliary wheel uses a shock absorber-torsion bar structure to ensure that the forklift has good stability.
- / The electrical system uses waterproof connectors and protection on the wires and cables to improve the electronic's reliability.
- / The pump motor has a longer service life and saves energy because of the electronic lifting limit switch on the motor.
- / The low noise and vibration hydraulic power unit enables stable and reliable lifting and lowering.
- / The punched formed forks provide higher strength and are impact resistant.
- / The pallet truck is equipped with tip guides to improve operational efficiency.

## High Performance

- / The electric power steering system helps operators to easily maneuver the pallet truck.
- / The maintenance-free, high-power, brushless AC traction motor has excellent acceleration, performance, good climbing ability, and low heat generation.
- / The CURTIS control system provides accurate, stable, and more efficient control of the AC traction motor.
- / The CANBUS structure makes the communication between the different parts on the truck faster and more reliable.
- / The pallet truck's parking brake prevents it from sliding down a ramp.
- / The hydraulic pump, switches, controller, connectors, and battery plug are all parts from industry known suppliers to ensure reliability, performance, and ease of service.



Battery Side Roll Out



The tiller and instrument display can be moved sideways to allow for more room when changing the battery.

# HIGH-POSITION PICKING

THE OPTIONAL AUXILIARY FOOTBOARD IS SUITABLE FOR HIGH-POSITION PICKING



# EFFICIENT PICKING

THE DRIVER CAN DRIVE WITH  
THE PEDAL RELEASED TO IMPROVE  
THE EFFICIENCY OF PICKING



## Safety

- / The center control pallet truck features both release and emergency brakes to ensure safe driving.
- / Regenerative braking prevents the pallet truck from sliding down ramps for operational safety.
- / The red brake button on the head of the tiller causes the pallet truck to brake when pressed. This prevents the operator from being injured.
- / The pallet truck has dual protection features for operator safety. The lifting limit switch prevents the mechanism from lifting the load too high. The controller prevents the pallet truck from rapidly starting or stopping. These features ensure that the load won't shift and hurt the operator.
- / When the operator releases the pedal while driving, the truck will automatically reduce its travel speed and steering angle. The truck also disables the lifting and lowering functions to ensure operator safety.

## Maintenance

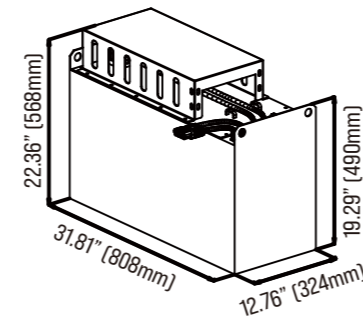
- / The brushless AC drive motor is maintenance-free. This significantly reduces the operating costs of the pallet truck.
- / The multi-functional, large screen instrument display includes the battery display, real-time speed, and self-diagnostic functions to facilitate maintenance and operation.
- / The maintenance hatch opens to allow for easy access to all of the truck's components.
- / The spindles are equipped with lubricated sleeves and oil cups to facilitate maintenance and promote a long service life.



## Lithium Iron Phosphate Battery Packs

- / Integrated Battery Management System (BMS) continually monitors energy management and ensures reliable operation.
- / HANGCHA provides these Lithium Iron Phosphate (LiFePO<sub>4</sub>) battery packs with up to a 5 year or 10,000 hour warranty.
- / See warranty certificate for specific warranty information on the Lithium Iron Phosphate battery packs.

Lithium-ion Center Control Rider Battery Capacity	
Standard Battery Capacity (V/Ah) (kW-h)	25.6V/230Ah 5.89kW-h (Includes On-Board Charger)
Optional Battery Capacity (V/Ah) (kW-h)	25.6V/460Ah 11.78kW-h



# TOUGH EFFICIENT EFFORTLESS

## Standard Specification

- / Brushless AC Drive Motor
- / Curtis Controller
- / Hydraulic Power Unit
- / Multi-Functional Interactive Display
- / Electric Power Steering System
- / Key Switch
- / Electronic Lifting Limit
- / Horn
- / Polyurethane Drive Wheel
- / Polyurethane Load Wheel
- / Lithium-ion Battery Pack with an On-Board Charger

## Options

- / Second Level Order Picking Platform
- / Packaging Film Holder
- / Storage Box
- / Large Lithium-ion Battery Pack without an On-Board Charger

## A Series Electric Lithium-ion Center Control Rider Pallet Truck Specification

		HANGCHA GROUP CO.,LTD.			
Distinguishing Marks	1.1	Manufacturer	CCR27LI	CCR36LI	
	1.2	HCFA Model	CB027-ACIS-CNAI	CB036-ACIS-CNAI	
	1.3	Drive: electric (battery or mains), diesel, petrol, fuel gas	Electric	Electric	
	1.4	Operator Type	Rider	Rider	
Weight	1.5	Rated Capacity/Rated Load	0(lb/kg)	8000/2700	8000/3600
	1.6	Load Centre Distance	c(in/mm)	48/1220	48/1220
	1.8	Load Distance, centre of drive axle to fork	x(in/mm)	53.7/1365	53.7/1365
	1.9	Wheelbase (Fork Raised)	y(in/mm)	110/2796	110/2796
Tires & Chassis	2.1	Service Weight	lb/kg	2315/1050	2315/1050
	3.1	Tires: solid rubber, superelastic, pneumatic, polyurethane		Polyurethane	Polyurethane
	3.2	Tire size, front	in/mm	φ12.2×4.3/φ310×110	φ12.2×4.3/φ310×110
	3.3	Tire size, rear	in/mm	φ3.25×6.5/φ83×165	φ3.25×6.5/φ83×165
	3.4	Additional Wheel (dimensions)	in/mm	φ5×2.4/φ125×60	φ5×2.4/φ125×60
	3.5	Wheels, number front / rear (x = driven wheels)		1×2/2	1×2/2
	3.6	Tread, front	bu (in/mm)	23.2/590	23.2/590
Dimensions	3.7	Tread, rear	bu (in/mm)	18.1/460	18.1/460
	4.4	Lift	h <sub>1</sub> (in/mm)	5.9/150	5.9/150
	4.15	Fork Height, lowered	h <sub>2</sub> (in/mm)	3.3/83	3.3/83
	4.19	Overall Length	l <sub>1</sub> (in/mm)	154.3/3918	154.3/3918
	4.2	Head Length	l <sub>2</sub> (in/mm)	58.2/1478	58.2/1478
	4.21	Overall Width	b (in/mm)	33.9/860	33.9/860
	4.22	Fork Dimensions	s/e/l (in/mm)	2.36/9.84/96 (60/250/2440)	2.36/9.84/96 (60/250/2440)
Performance Data	4.25	Distance between Fork-Arms	bs (in/mm)	28/710	28/710
	4.35	Turning Radius (Fork Raised)	W (in/mm)	114.8/2915	114.8/2915
	5.1	Travel Speed, laden/unladen	mph(kph)	5.6/8.7 (9.5/14)	5.6/8.7 (9.5/14)
	5.8	Max Gradeability, laden/unladen	%	8/15	8/15
Electric Motor	5.10	Service Brake		Electromagnetic	Electromagnetic
	6.1	Drive Motor Rating S2 60 Min	hp/kW	5.36/4	5.36/4
	6.2	Lift Motor Rating at S3 15%	hp/kW	2.95/2.2	2.95/2.2
	6.4	Battery Voltage, nominal capacity K5	V/Ah	25.6V/230Ah	25.6V/230Ah
	8.1	Type of Drive Control		AC	AC
9.1	Manufacturer		Curtis	Curtis	

